

Mobarrow®

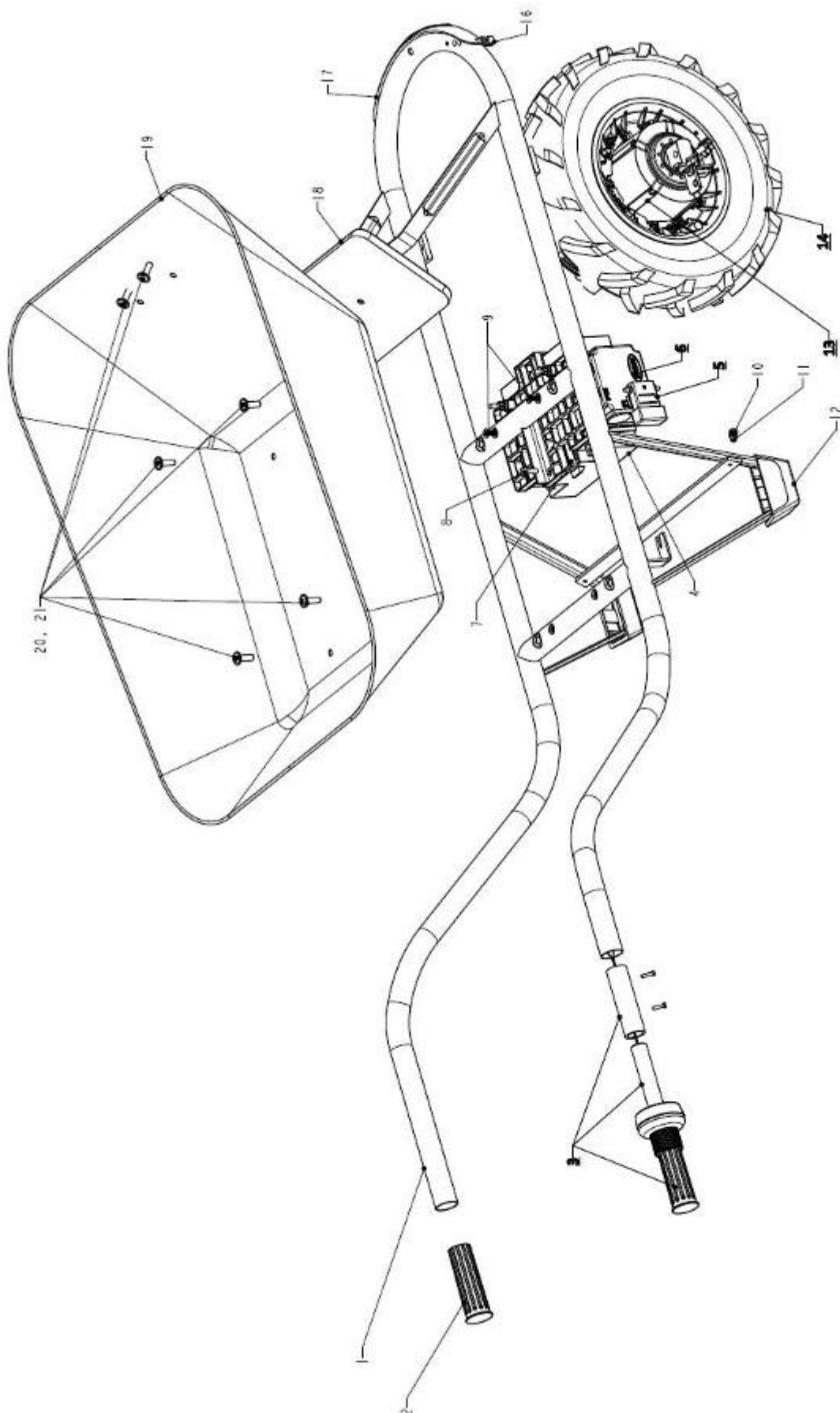


Electric powered wheelbarrow POWER, STANDARD, SOFT

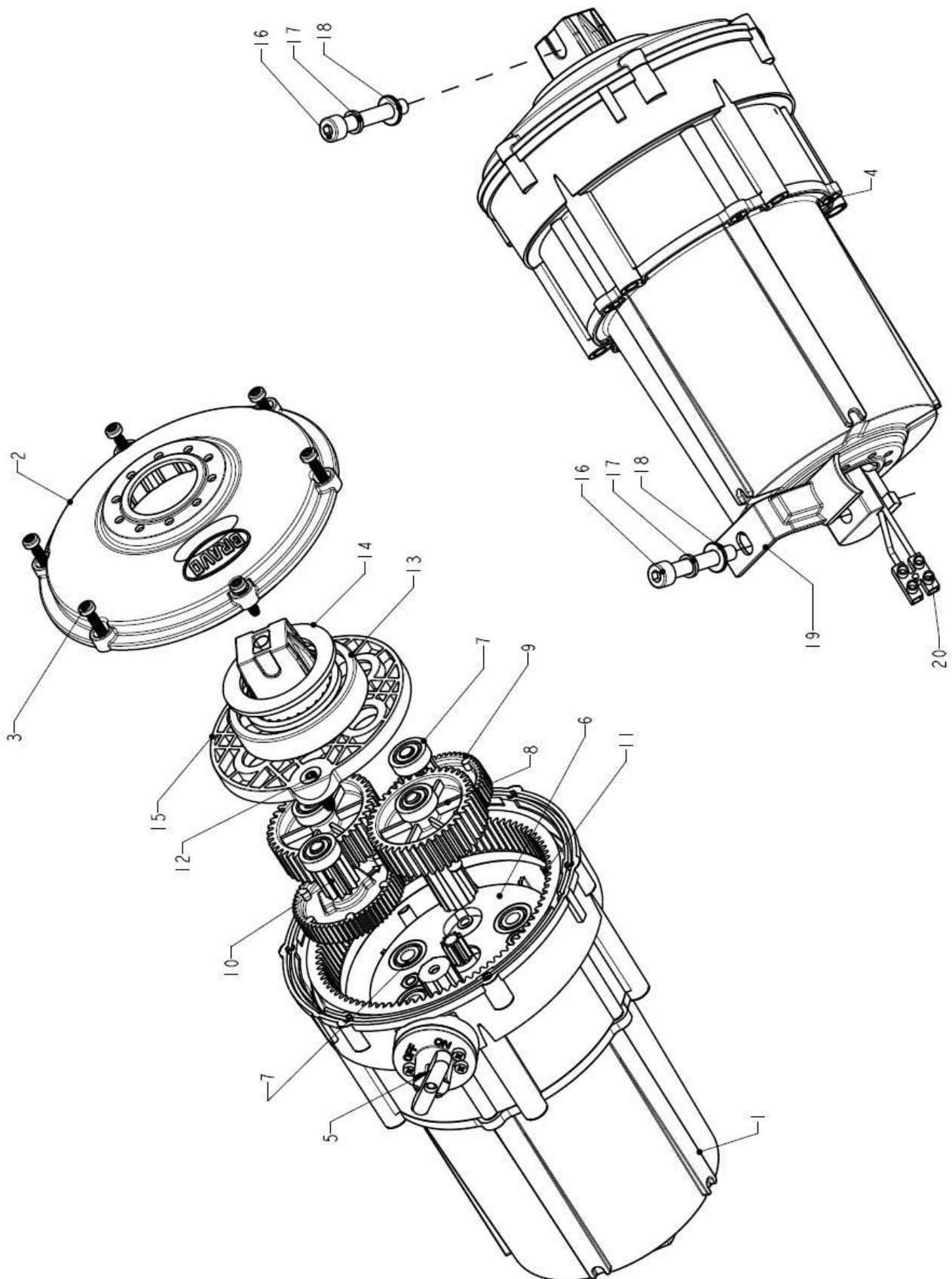
SPARE PARTS

2014

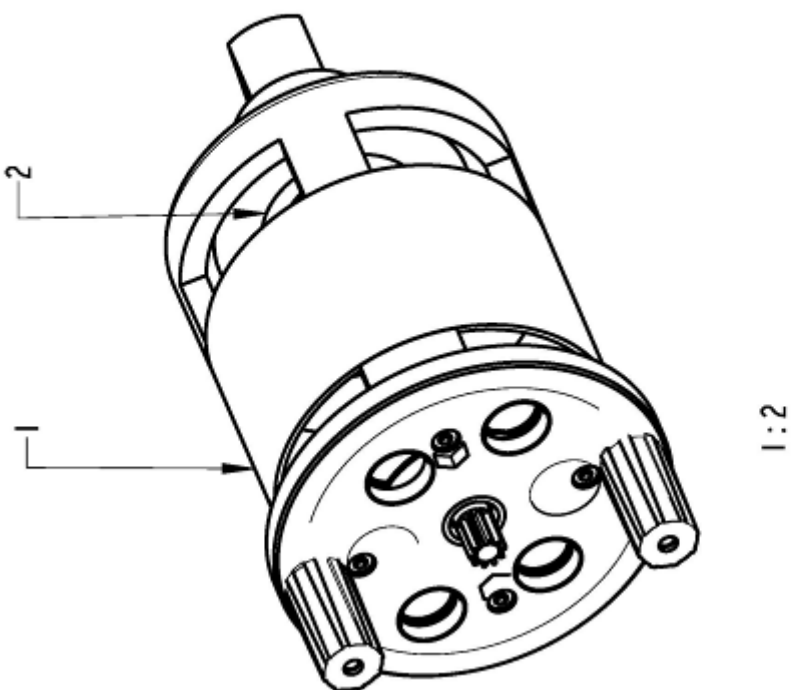
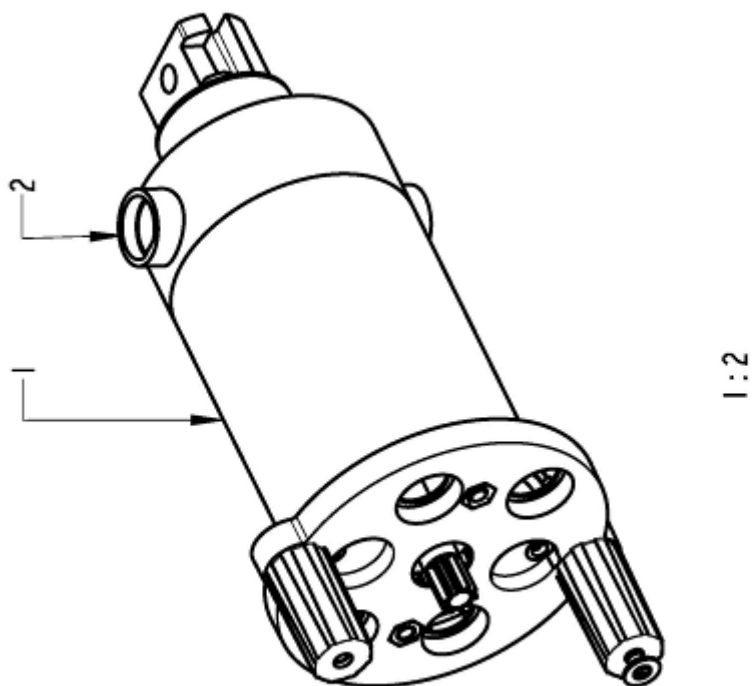




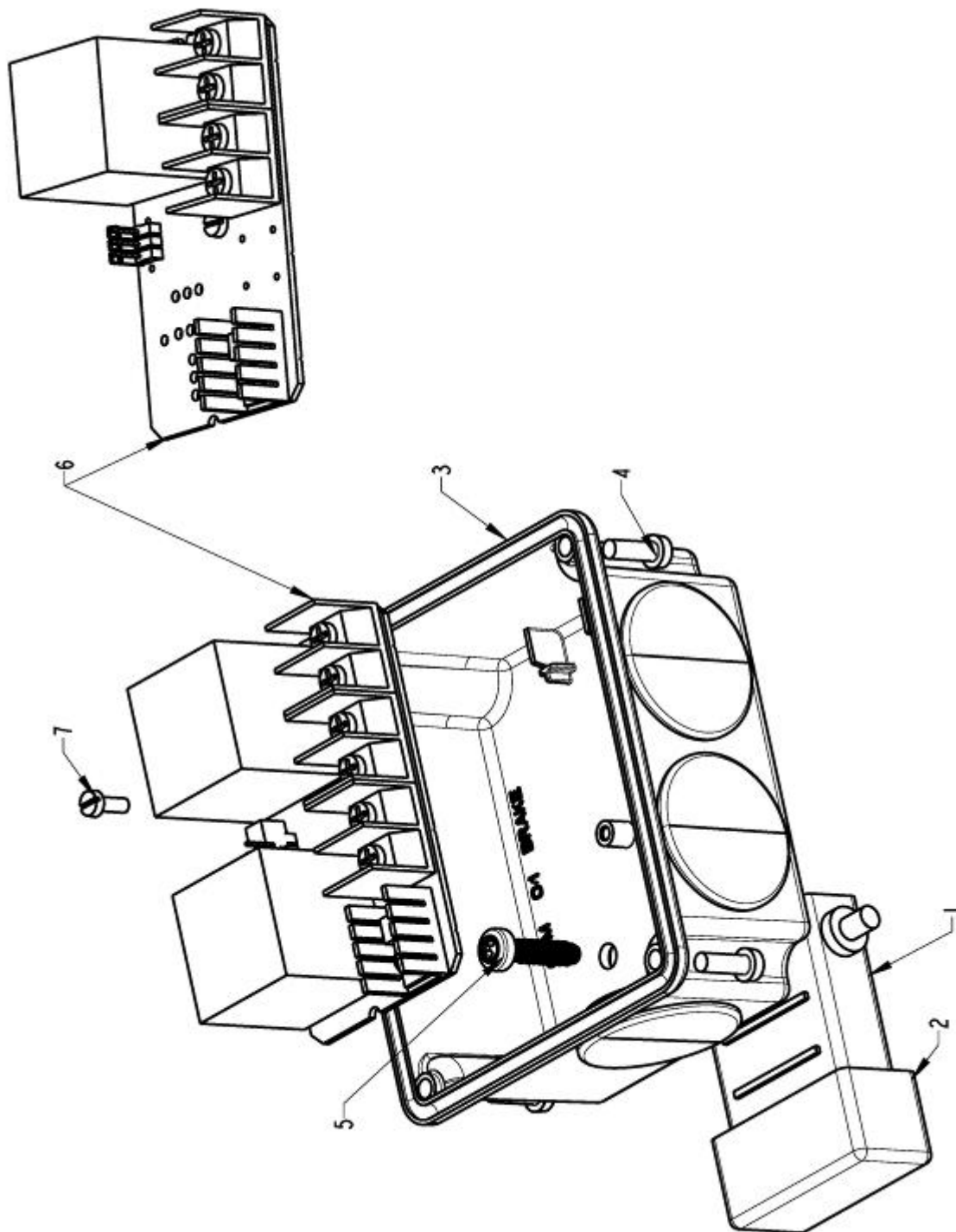
Model			
Pos.		Item number	Pcs.
1.	Frame construction POWER	02175254	1
	Frame construction STANDARD	02175061	
	Frame construction SOFT	02175308	
2.	Plastic handle (left)	20764000	1
3.	Handle (drive system)	<i>(See page 10-11)</i>	1
4.	Acumulator 12V/22AH <i>(Available only as accessory)</i>	<i>(Not available as a SP)</i>	1
5.	Fuse box	<i>(See page 8-9)</i>	1
6.	Brake, Electronics	<i>(See page 8-9)</i>	1
7.	Plastic battery holder	21040000	1
8.	Screw KA60x20	03041139	1
9.	Screw KA60x50	02175350	2
10.	Washer 6,4	02175031	1+1
11.	Screw–Hexagon 6x20	02175320	1+1
12.	Cover	20832001	2
13.	Drive unit	<i>(See page 4-5)</i>	1
14.	Wheel	<i>(See page 12-13)</i>	1
15.	Overrunning clutch	12175056	1
16.	<i>Lead eye (Available only as accessory)</i>	<i>(Not available as a SP)</i>	1
17.	Frame protection	21056000	1
18.	<i>Plastic support of the tray (Available only as accessory)</i>	<i>(Not available as a SP)</i>	1
19.	<i>Bin (Available only as accessory)</i>	<i>(Not available as a SP)</i>	1
20.	Screw M8x25 <i>(For bin)</i>	03041133	4+2
	Screw M8x20 <i>(For bin)</i>	03041118	
21.	Screw M8x40 <i>(For trundle extension)</i>	03041130	6



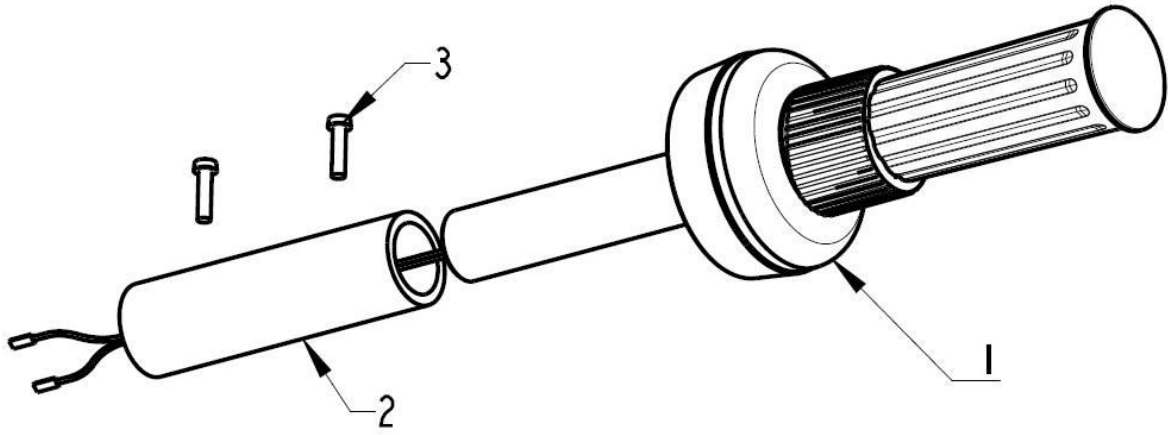
Drive unit/ Gearbox			
Pos.	Name	Item number	Pcs
	Drive unit/Case- Complete	12175057	
1.	Motor case		1
2.	Cover of drive unit		1
3.	Screw 5x20		6
4.	Screw 5x20		5
5.	Overrunning clutch - Control switch <i>(Complete)</i>	12175056	1
6.	Motor unit	<i>(See page 6)</i>	1
7.	Bearing 6082RS	02175077	4+4
	Gearbox - Complete	12175058	
8.	Gear wheels-Inlaid wheel		2
9.	Primary wheel		2
10.	Pinion		2
11.	Wreath with spring		1+1
	Gearbox - Complete	12175059	
12.	Screw 60x25		2
13.	Eisenlager		1
14.	Gasket		1
15.	Gear cover -		1
16.	Screw 8x40, DIN912	02175336	1+1
17.	Washer 8, DIN7980	02175017	1+1
18.	Washer 8.4, DIN9021	02175016	1+1
19.	Cover	20818002	1
20.	Clamp <i>(for Motor)</i>	02175307	1
21.	Graphite powder MOLYKOTE BR 2plus	02175306	100g



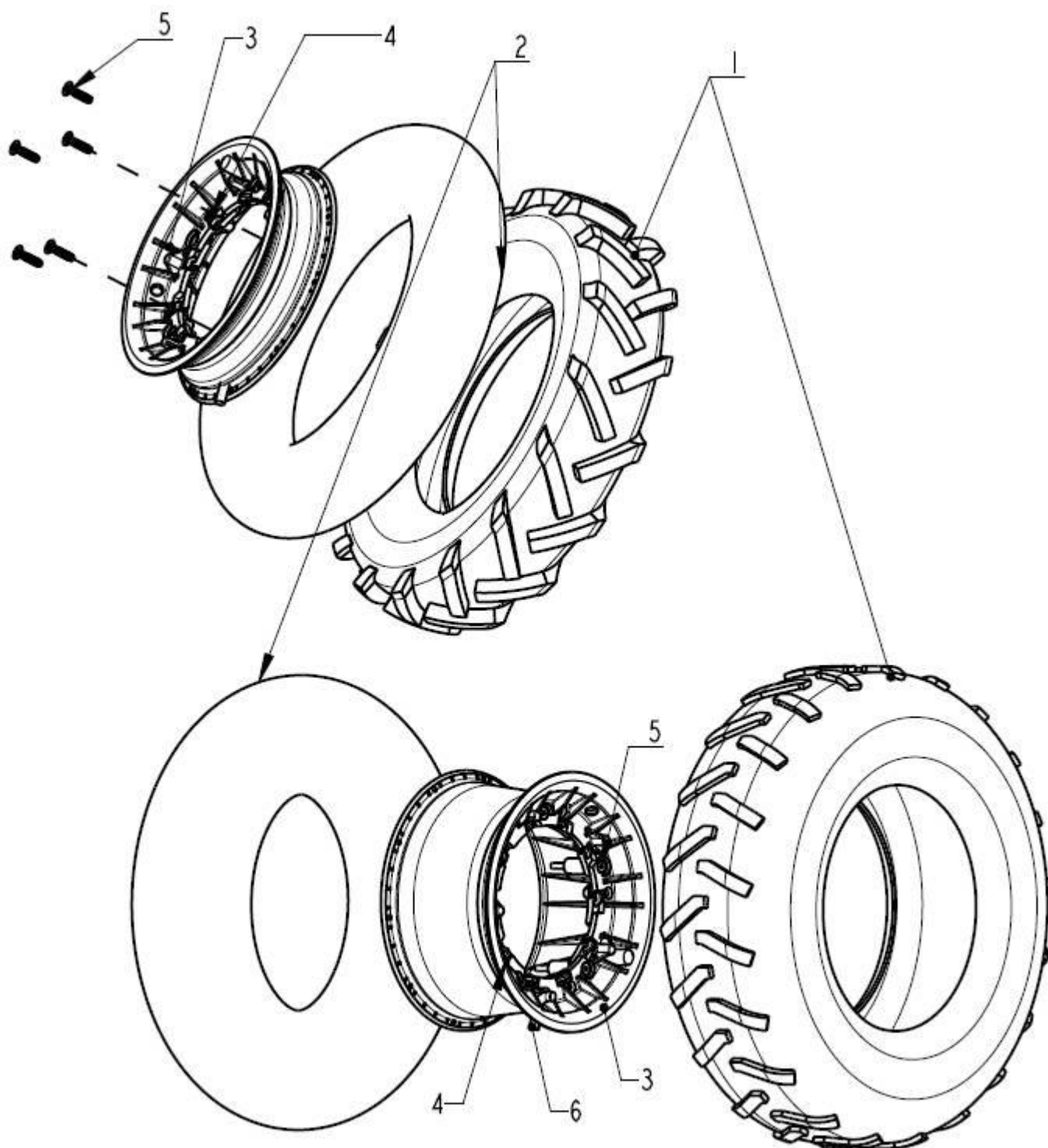
Motor unit			
Pos.	Name	Item number	Pcs
1.	Motor 12 V DC 300W POWER	02175041	1
	Motor 12 V DC 250W STANDARD	02175088	
	Motor 12 V DC 250W SOFT	02175088	
2.	Carbon brush for 250 W Motor	02175319	2
	Carbon brush for 300 W Motor	02175320	4



Brake/Elektronic			
Pos.	Name	Item number	Pcs
1.	Fuse box	02175006	1
2.	Fuse <i>(Available only as accessory)</i>	<i>(Not available as a SP)</i>	1
3.	Case for brake	21517000	1
4.	Screw BN 40x12	21375324	4
5.	Screw KA 50x20	02175091	1
6.	Electronic plate with brake <i>(Complete)</i>	12175061	1
	Electronic plate without brake <i>(Complete)</i>	12175060	
7.	Screw BN 30x8	21375325	1



Handgrip-actuation, Complete			
Pos.	Name	Item number	Pcs
	Handgrip-actuation, Complete		
1.	Handgrip-actuation Traction drive+ Wire bundle(Standard, Soft)	12175047	1
	Handgrip-actuation Traction drive and brake + Wire bundle(Standard+Soft)	12175055	
	Handgrip-actuation Traction drive and brake + Wire bundle (Power)	12175052	
2.	Rahmeneinlagen for Power,Standard,Soft <i>(included in each set)</i>		1
3.	Screw BN 40x16 <i>(included in each set)</i>		2



Wheel 10cm / 16cm			
Pos.	Name	Item number	Pcs
1.	Tire (10 cm) 4.00-8TP B12	2175188	1
	Tire (16cm) 4PR B64 TL/TT FA	02175247	
2.	Innertube (10cm) 3,5/4,0-8 JS 87 90/90	2175189	1
	Innertube (16 cm) T 16x6,5/7,5-8 38G 11,5	02175276	
3.	Rim 10	20848000	2
	Rim 16	20848001	
4.	Screw 5x20 (<i>Rim assembly</i>)	03041110	10
	Screw 5x20 (<i>Rim assembly</i>)	02175091	
5.	Screw 6x25 (<i>Attachment to the drive case</i>)	2175227	5
	Screw 6x55 (<i>Attachment to the drive case</i>)	2175162	
6.	Valve extension	02175310	1